



ISO
9001
QUALITY
ASSURANCE



TUV NORD

MAXBRIO RIPPER SERIES

Vibro technology attachments



- World PCT: No. KR2007/004***
- Europe : No. 07 808 2***
- United States : No. 121673***
- Japan : No.11-262***



Made in
Korea

Original
Innovative
Since 2004

maxbrio

Use Hardox
Steel from
Sweden

Noiseless and
Powerful
Performances

Anti-Shock
Equipment



MAXBRIO RIPPER SERIES

Vibro technology attachments

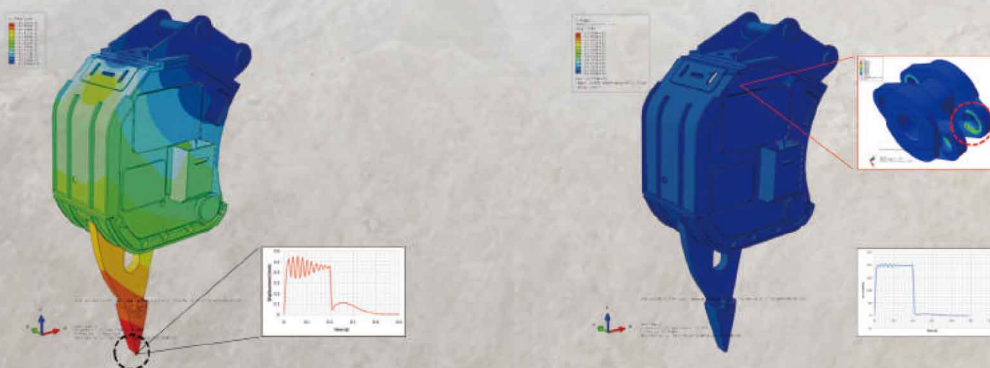


Original Innovative & Reliable MaxBrio Ripper series

- Eco-friendly and noiseless equipment (80dB)
- Protecting the excavators from vibration shock by patented cushion elastomers
- Workable in extreme weather condition (-40°C to 60°C) and under water condition
- The best innovative technology, the most powerful vibration (1700rpm)
- Innovatively designed tooth, link & cushion elastomer improve durability
- Maximized durability with Hardox wear-resistant steel
- Easy installation by one way piping line (breaker line) from excavator

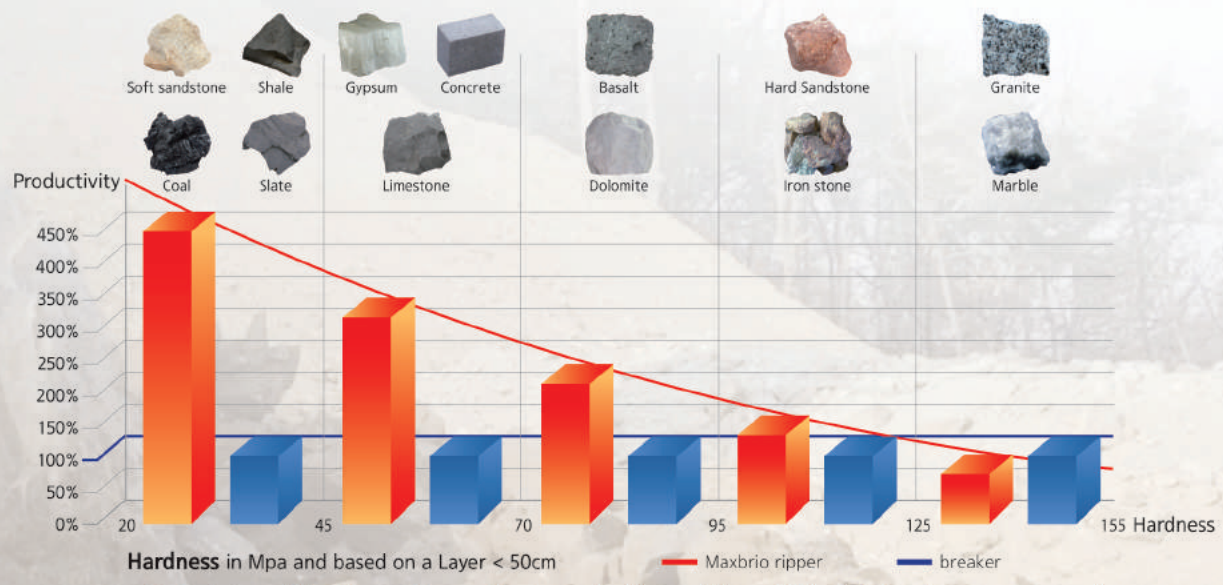


CAE Simulation Evaluation [FEM Results]





Productivity : Daedong Maxbrio ripper Vs. breaker



Hardness in Mpa and based on a Layer < 50cm

※ Productivity could be changeable according to construction condition and this chart for reference purpose only.

Maxbrio Ripper covers up to 80% of applications that are using breaker area. Up to 5 times higher productivity than breaker can be achieved.



Maxbrio Ripper BR Series

Daedong Engineering, is an industry leading manufacturer of innovative and reliable attachments and has been manufacturing quality vibro attachments since 1997.

In 2004, the world's first Vibro Ripper was invented by Daedong Engineering and has been evolving through our continuous R&D effort over the decades. It has been proven as a revolutionary attachment for excavation of rocks with high frequency vibration. With its innovative and patented technology (PCT KR2007/004***), Maxbrio Vibro ripper offers up to 5 times higher productivity and much less noise level compare to conventional breaker.

Maxbrio Ripper is an excavator attachment developed for high performance rock excavation and demolition work. It is applicable for mining, quarrying, trenching, ripping or digging permafrost and removing asphalt with much less noise which makes it ideal for operating near residential area.

It is designed to increase productivity and efficiency that gets the job done much faster with much lower operational cost.

It can be an effective alternative for drilling and blasting in mining.

2004-2011



2004 KOREA



2008 DUBAI



2010 JAPAN



2011 MEXICO

2014



2014 ITALY



2015 INDIA



2015 MALAYSIA

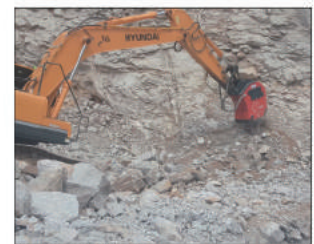
Application

- Noise restricted area
- Construction site near residential area
- Foundation work, Road construction
- Trenching, tunneling and dredging
- Open pit mine and quarry
- Fractured or layered rock
- Permafrost

2016



2016 NEW ZEALAND



2016 THAILAND



2016 VIETNAM



2016 USA

2017



2017 USA



2017 JAPAN



2017 ICELAND

2018



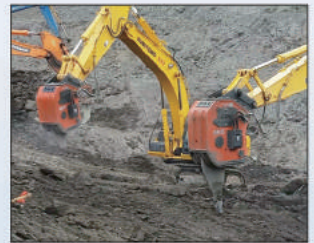
2018 RUSSIA



2018 ROMANIA

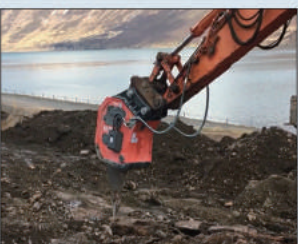


2018 FRANCE



2018 INDONESIA

2019



2019 ICELAND



2019 DOMINICAN REPUBLIC



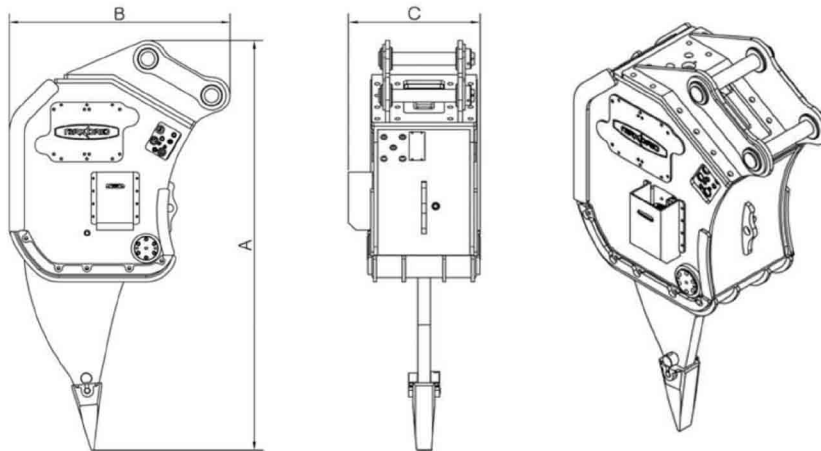
2019 PHILIPPINES



2019 INDIA



Technical Specification



BR series		BR15	BR25	BR35	BR40	BR45	BR55	BR65P	BR75P	BR85P
Excavator class	ton	12-18	20-25	26-30	32-35	35-42	42-52	52-60	55-65	65-80
Frequency	rpm	1700	1700	1700	1800	1700	1700	1200	1200	1200
	Hz	28.3	28.3	28.3	30	28.3	28.3	20	20	20
Setting Oil Pressure	kg/cm ²	250	250	250	250	250	250	250	250	250
Required Oil Flow	l/min	100-120	120-140	180-200	180-210	260-270	290-300	240-260	300-320	300-320
(A) Height	mm	1985	2740	2900	2920	3253	3360	3250	3390	3640
	in	78.1	107.9	114.2	115	128	132	128	133.5	143.3
(B) Length	mm	1200	1420	1564	1584	1710	1782	1650	1667	1804
	in	47.2	55.9	61.6	62.4	67.3	70.2	65	65.6	71
(C) Width	mm	760	806	855	855	913	928	1057	1105	1154
	in	29.9	31.7	33.7	33.7	35.9	36.5	41.6	43.5	45.4
(D) Tooth	mm	265	470	470	470	470	575	575	575	575
	in	10.4	18.5	18.5	18.5	18.5	22.6	22.6	22.6	22.6
Weight (Incl. bracket)	kg	1460	2520	3310	3390	4690	5470	5720	7050	8490
	lb	3219	5556	7297	7474	10340	12059	12610	15542	18716

► The above specifications are subject to change without prior notice for quality enhancement



Factory
[10449] 9, Geomsan-ro 361beon-gil, Paju-city, Gyeonggi-do, KOREA

Sales Division
[10846] 358-39, Hosu-ro, Ilsan, Goyang-city, Gyeonggi-do, KOREA
Tel : +82-31-906-7896 Fax : +82-31-906-7822
E-mail : info@dd-eng.com Homepage : www.dd-eng.com

Distributed by

Jan. 2024